



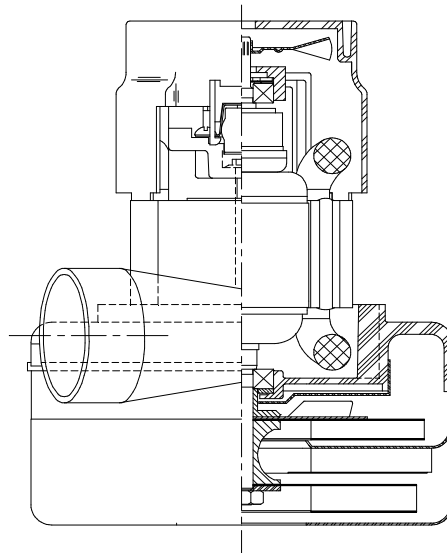
**Model: 116420-13
116420-32***

DESCRIPTION

- Two stage
- 240 volts
- 5.7"/145 mm diameter
- Double ball bearings
- Single speed
- Tangential bypass discharge
- Thermoset fan end bracket
- Aluminum commutator bracket

DESIGN APPLICATION

- Equipment operating in environments requiring separation of working air from motor ventilating air
- Designed to handle clean, dry, filtered air only



SPECIAL FEATURES

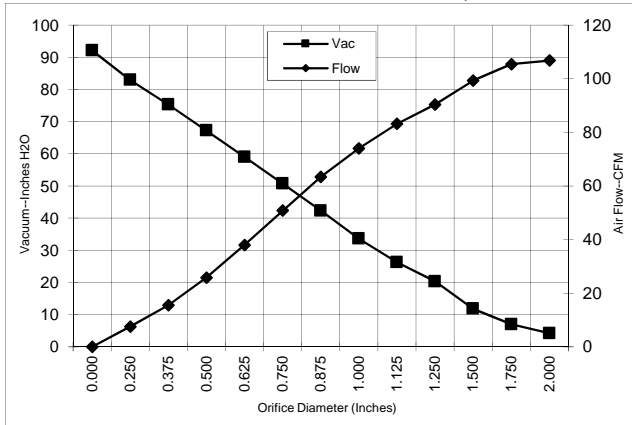
- Suitable for 240 volt AC operation, 50/60 Hz
- UL recognized, category PRGY2 (E47185)
- Skeleton-frame design
- Epoxy painted fan case
- Patented air seal bearing construction, U.S. Patent #4,088,424
- The Lamb Electric vacuum motor line offers a wide range of performance levels to meet design needs

***Model 116420-32 has fan shell inlet tube 1.875" diameter x 1.0" long.**

TYPICAL MOTOR PERFORMANCE.*

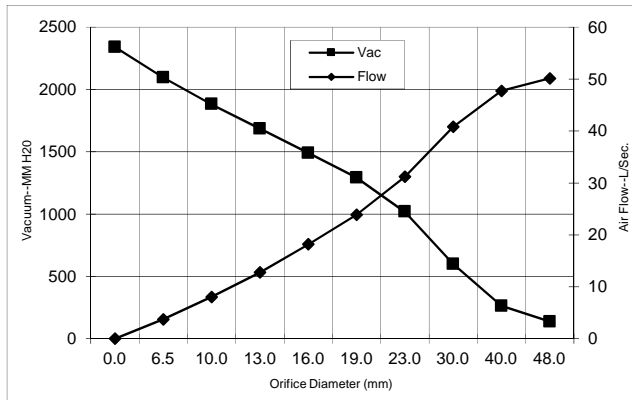
(At 240 volts, 60Hz, test data is corrected to standard conditions of 29.92 Hg, 68° F.)

ASTM DATA



Orifice (Inches)	Amps	Watts (In)	RPM	Vac (In.H2O)	Flow (CFM)	Air Watts
2.000	4.7	1060	18623	4.2	106.8	53
1.750	4.7	1061	18623	7.0	105.4	87
1.500	4.7	1062	18623	11.8	99.3	138
1.250	4.7	1058	18623	20.3	90.4	216
1.125	4.6	1053	18675	26.3	83.2	257
1.000	4.6	1045	18792	33.6	74.0	293
0.875	4.5	1028	18967	42.3	63.4	315
0.750	4.3	986	19324	50.7	50.8	303
0.625	4.1	934	20012	59.0	38.0	263
0.500	3.8	870	20854	67.2	25.8	204
0.375	3.5	805	21885	75.3	15.5	137
0.250	3.2	746	22859	82.9	7.5	73
0.000	3.0	697	23806	92.1	0.0	0

METRIC DATA



Orifice (mm)	Amps	Watts (In)	RPM	Vac (mm H2O)	Flow (L/Sec)	Air Watts
48.0	4.7	1060	18623	138	50.1	68
40.0	4.7	1062	18623	263	47.7	123
30.0	4.6	1055	18652	599	40.8	239
23.0	4.5	1032	18923	1019	31.2	310
19.0	4.3	985	19338	1292	23.9	302
16.0	4.1	936	19984	1490	18.2	265
13.0	3.8	876	20770	1686	12.8	210
10.0	3.5	815	21730	1882	8.0	147
6.5	3.2	749	22810	2096	3.7	76
0.0	3.0	697	23806	2339	0.0	0

Note: Metric performance data is calculated from the ASTM data above.

* Data represents performance of a typical motor sampled from a large production quantity. Individual motor data may vary due to normal manufacturing variations.

Test Specs:	240 volts	Minimum Sealed Vacuum:	82.0"	ORIFICE:	13 mm	Minimum Vacuum:	60.0"	Maximum Watts:	975
--------------------	-----------	-------------------------------	-------	-----------------	-------	------------------------	-------	-----------------------	-----

